

Barracuda

BCD-800-S/BCD-800-B

Stylish design and proven reliability makes the Barracuda a popular quality banner stand. The Barracuda is one of the most feature-rich single sided retractable banner stands available and has been specially designed for maximum convenience and ease of use.




We are continually improving and modifying our product range and reserve the right to vary the specifications without prior notice. All dimensions and weights quoted are approximate and we accept no responsibility for variance. E&OE. See Graphic Templates for graphic bleed specifications.

features and benefits:

- Variable height = 29.5" - 83.46"
- **New** telescopic pole
- **New** integrated pole storage for the twist & lock telescopic pole
- **New** accessory channel featured on the top of the unit (to add a literature pocket or arm table accessory)
- Quick slide graphic to leader attachment
- Snap on and off end caps
- Premium form molded bag included
- Graphic tensioner
- Lifetime warranty against manufacturer defects

dimensions:

Hardware	Graphic
<p>Assembled unit: 86.61"(h) max x 34"(w) x 7.7"(d) approx. 2200mm(h) x 865mm(w) x 195mm(d) approx.</p> <p>Base dimensions: 3.35"(h) x 34"(w) x 7.7"(d) approx. 85mm(h) x 865mm(w) x 195mm(d) approx.</p> <p>Weight: 8.4lbs/3.83kg approx. (including carry bag) (Installed graphic add weight)</p>	<p>Visible dimensions: 83.35"max(h) x 31.50"(w) 2117mm(h) x 800mm(w)</p> <p>29.5"min(h) x 31.50"(w) 750mm(h) x 800mm(w)</p> <p>Grippa top rail attachment recommended for semi-permanent or long term use. Adhesive top rail attachment recommended for short term use.</p> <p>WARNING: Always attach graphic to base and top rail before removing the locking pin. After fitting, the graphic should be left for 24 hours before use to ensure the adhesive bonds sufficiently. Opening the base will invalidate the product warranty.</p> <p>Graphic tension may be re-applied or added by removing the end cap, then turn the ratchet tensioner clockwise.</p> 
<p>Shipping</p> <p>Shipping dimensions - ships in one box 36"(h) x 11"(w) x 5"(d) 905mm(h) x 260mm(w) x 105mm(d)</p> <p>Approximate shipping weight: 12lbs/5.44kg shipping weight with graphic approx.</p> <p>9lbs/3.83kg shipping weight without graphic approx.</p>	

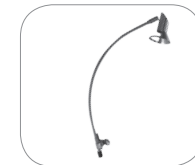
additional information:

Graphic materials:
14oz. anti-curl vinyl, 8oz. oxford,
11 mil melinex

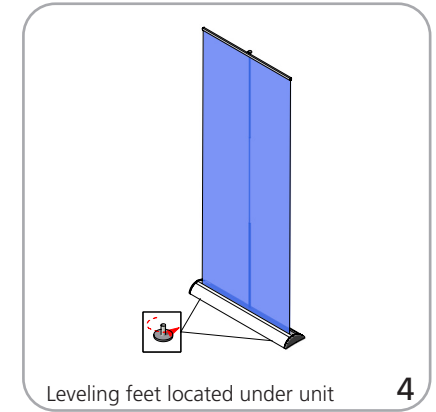
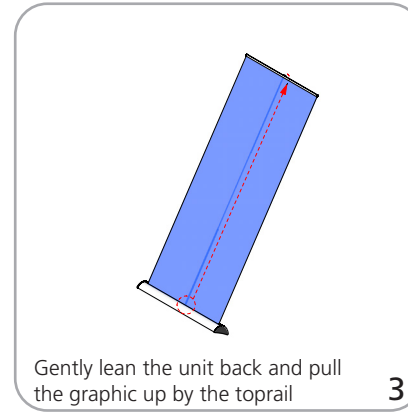
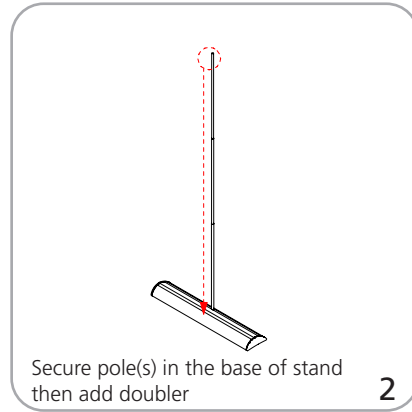
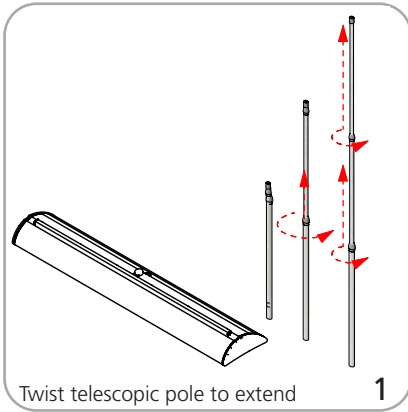
Stand-off rectangle counter top is available in black thermoform only.

Stand-off literature rack is available (L112-2 only)

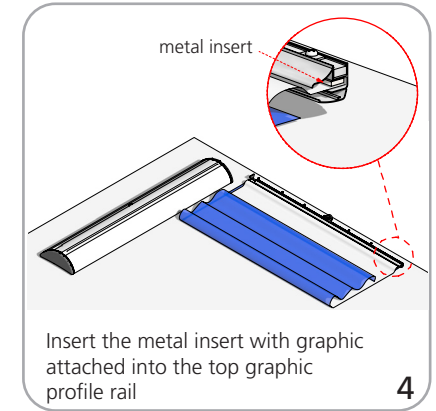
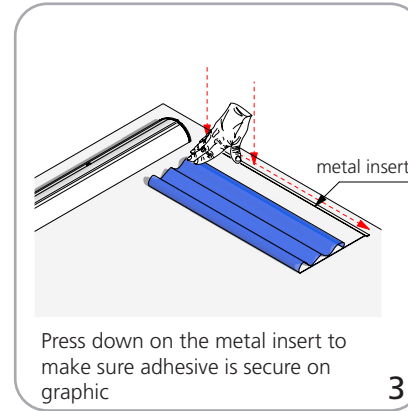
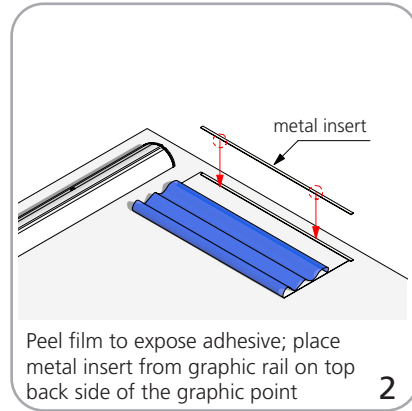
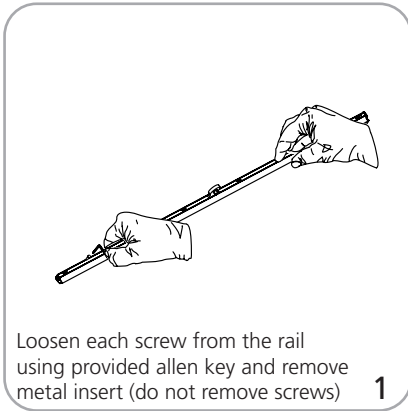
Lumina 2 banner lighting option available



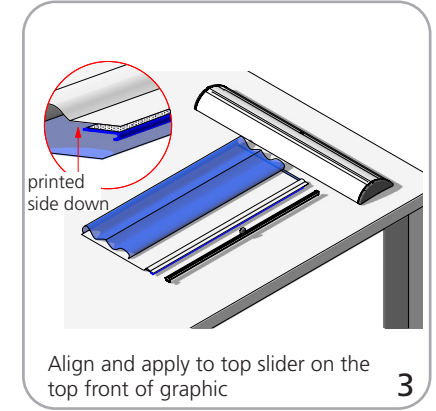
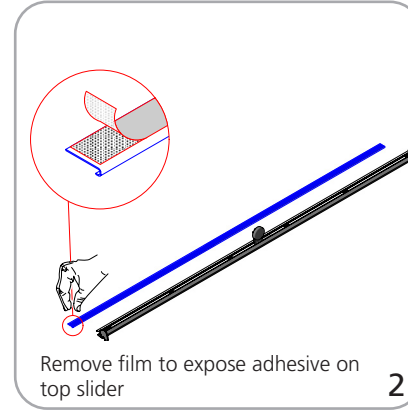
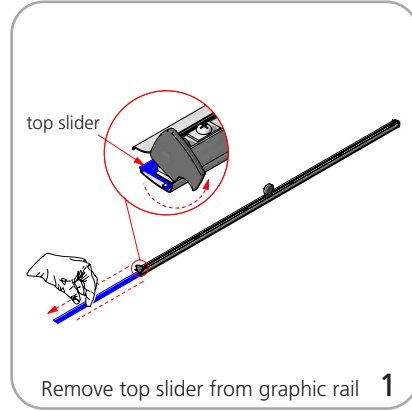
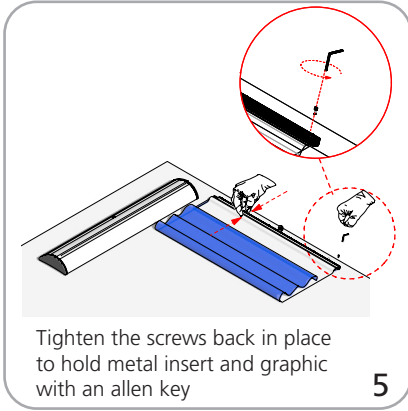
Set-up



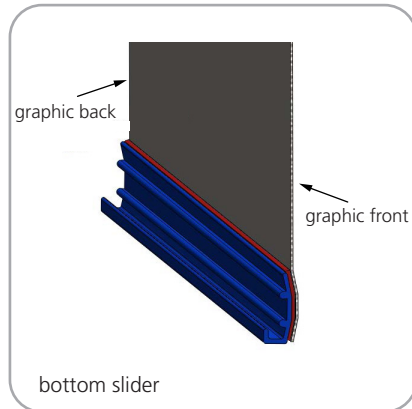
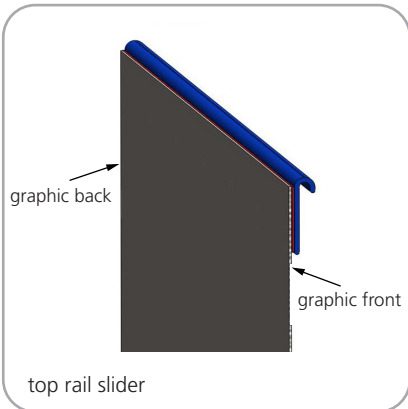
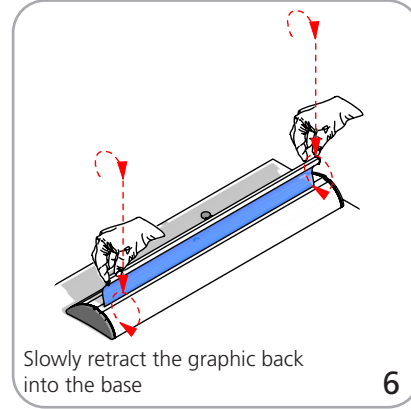
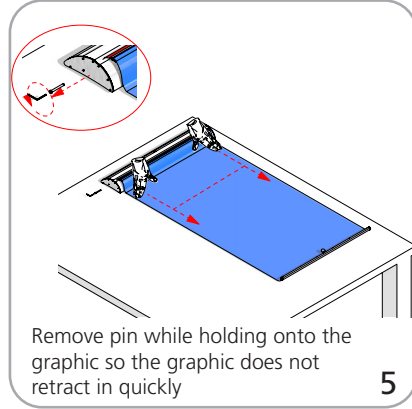
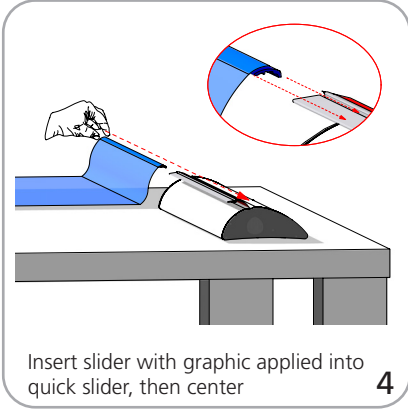
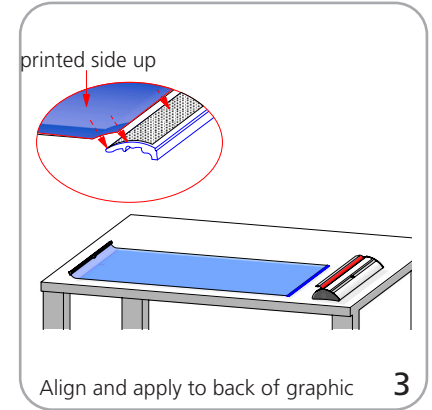
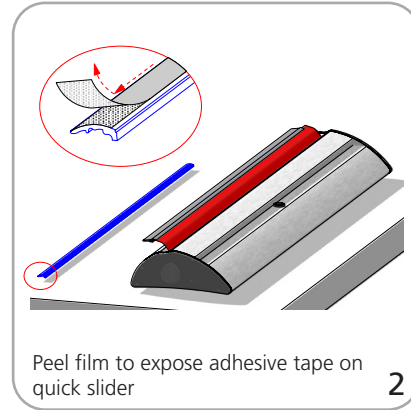
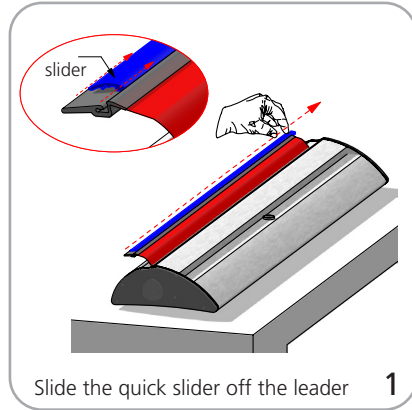
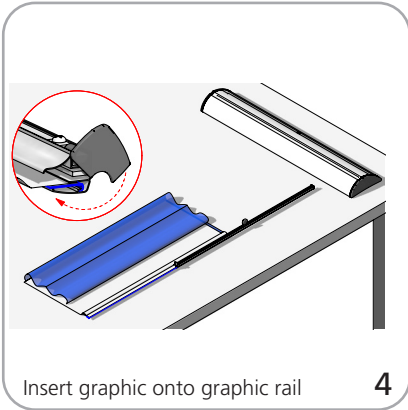
Graphic to top rail attachment (metal insert)



Quick slide top rail attachment (plastic insert)



Quick slide base attachment



Check out these related products:



Orient



Orient 2



Imagine



Advance



Lumina 2



Excalibur
