

Blade Lite

BLD-LT-600
 BLD-LT-920
 BLD-LT-1200
 BLD-LT-1500

Blade Lite is an attractive, sleek stand in anodized silver with chrome endcaps and a streamlined base design. With four base widths to choose from, there is a Blade Lite to fit every space.



Blade Lite 600

Blade Lite 920

Blade Lite 1200

Blade Lite 1500

We are continually improving and modifying our product range and reserve the right to vary the specifications without prior notice. All dimensions and weights quoted are approximate and we accept no responsibility for variance. E&OE. See Graphic Templates for graphic bleed specifications.

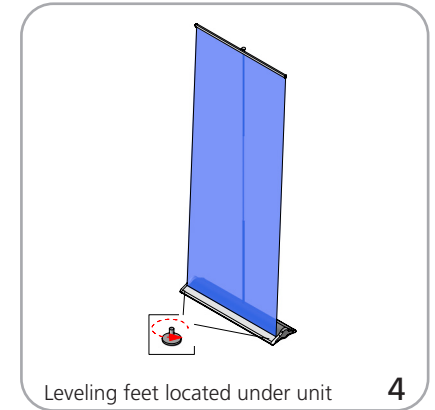
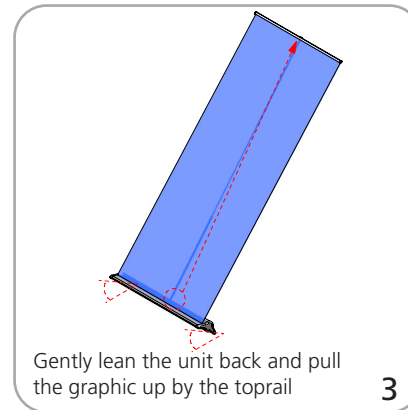
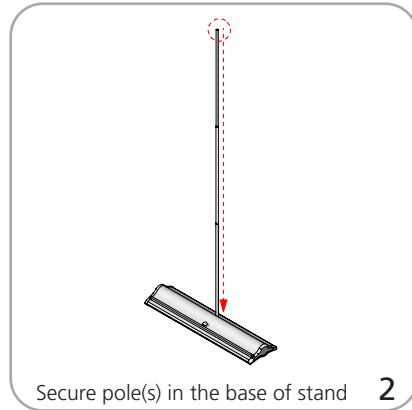
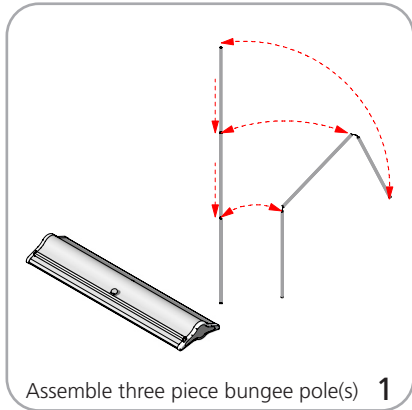
features and benefits:

- Comes complete with base, premium top rail, three-piece bungee pole(s) and carry bag
- Four sizes to choose from: 600, 920, 1200 and 1500mm wide
- Weighted base for stability
- Adjustable leveling feet
- Protective foam padding in bag
- Lifetime hardware warranty against manufacturer defects

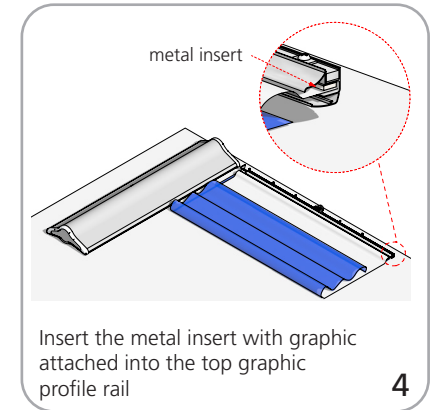
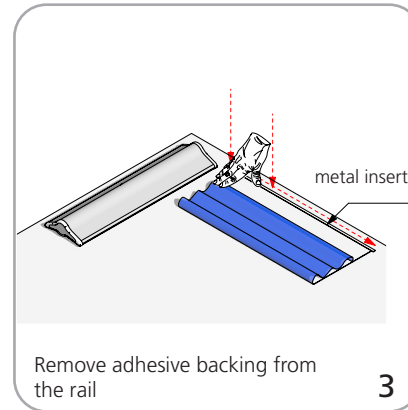
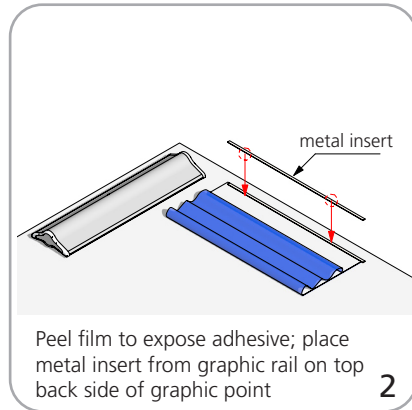
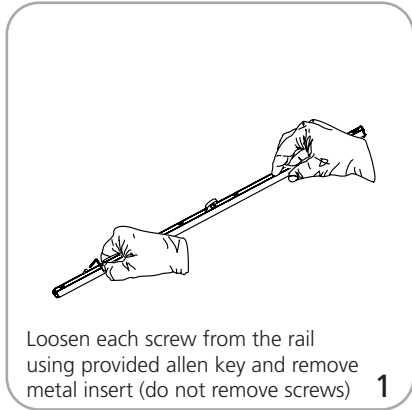
dimensions:

Hardware	Shipping
Assembled unit: 600mm: 25.5" w x 8.62" d x 86" h 647.69mm(w) x 219.07mm(d) x 2184.4mm(h) 920mm: 38" w x 8.62" d x 86" h 965.19mm(w) x 219.07mm(d) x 2184.4mm(h) 1200mm: 49" w x 8.62" d x 86" h 1244.6mm(w) x 219.07mm(d) x 2184.4mm(h) 1500mm: 61" w x 8.62" d x 86" h 1549.39mm(w) x 219.07mm(d) x 2184.4mm(h)	Shipping dimensions - ships in one box 600mm: 29.53" l x 9.84" w x 4.92" h 750.062mm(l) x 249.94mm(w) x 124.97mm(h) 920mm: 41.73" l x 9.84" w x 4.92" h 1059.94mm(l) x 249.94mm(w) x 124.97mm(h) 1200mm: 53.15" l x 9.84" w x 4.92" h 1350.01mm(l) x 249.94mm(w) x 124.97mm(h) 1500mm: 64.96" l x 9.84" w x 4.92" h 1649.98mm(l) x 249.93mm(w) x 124.97mm(h)
Graphic Visible dimensions: 600mm: 23.5" w x 83.25" h 596.9mm(w) x 2114.5mm(h) 920mm: 36" w x 83.25" h 914.4(w) x 2114.5mm(h) 1200mm: 47.25" w x 83.25" h 1200.1mm(w) x 2114.5mm(h) 1500mm: 59" w x 83.25" h 1498.6mm(w) x 2114.5mm(h)	Approximate shipping weight: 600mm: 6.72lbs/3.05kg 920mm: 12.12lbs/5.5kg 1200mm: 14.33lbs/6.5kg 1500mm: 18.47lbs/8.4kg
Refer to related graphic template for more information	Graphic materials: 13 oz flatmaxx vinyl or oxford fabric Pole heights for the Blade 600: 1 pole: 21" 2 pole: 41.5" 3 pole: 62.5" 4 pole: 83.25" Pole heights for remaining blade lites: 1 pole: 27.75" 2 pole: 55.5" 3 pole: 83.25"
additional information: Stand is supplied with premium top rail including both gripper and adhesive options, we recommend use of clamp rail Blade Lite 600 and 920 are supplied with one bungee pole per unit while 1200 and 1500 come with two bungee poles per unit	

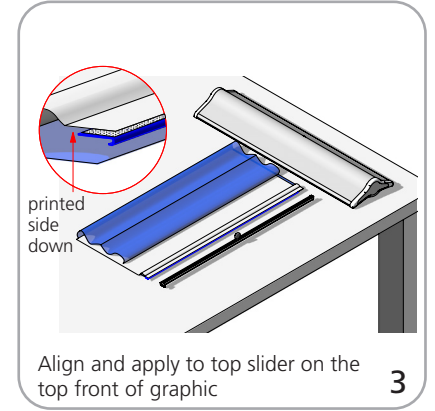
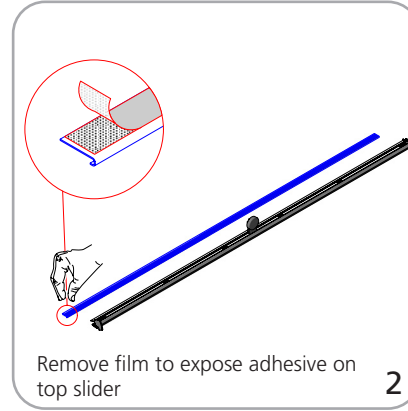
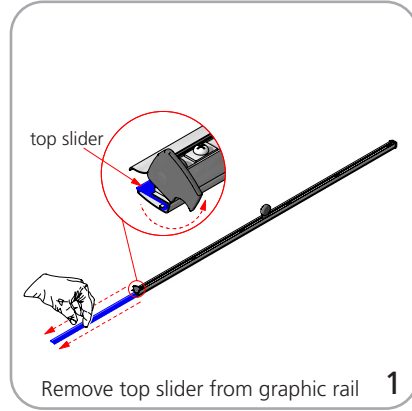
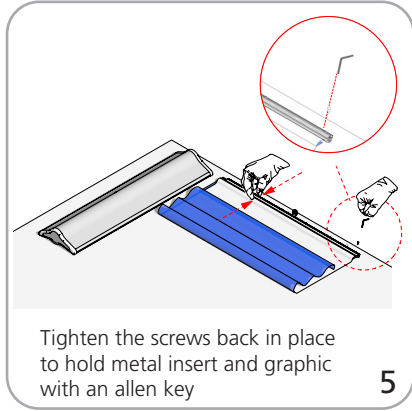
Blade Lite set-up



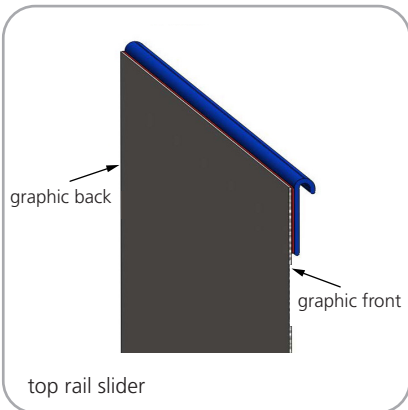
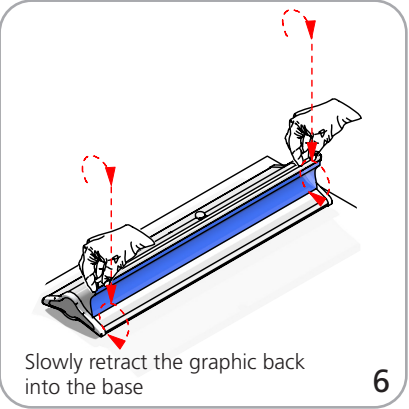
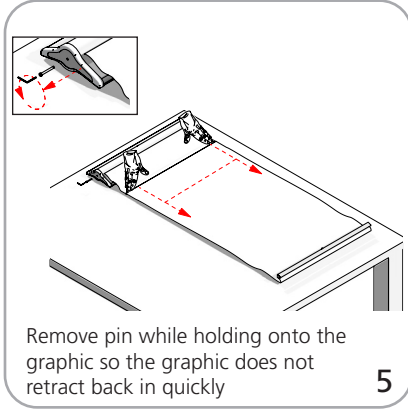
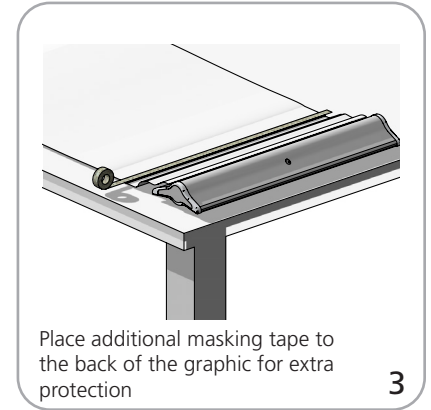
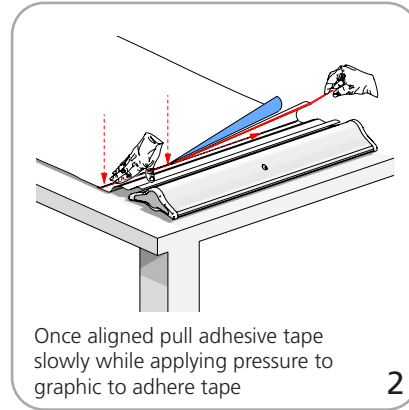
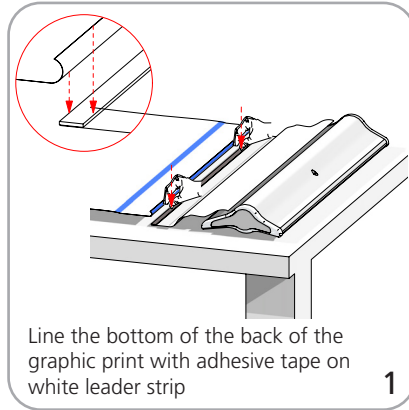
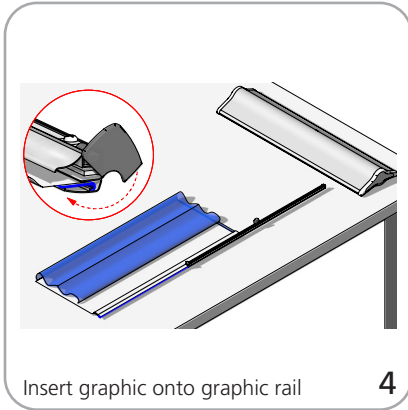
Graphic to toprail attachment (metal insert)



Quick slide top rail attachment (plastic insert)



Graphic to base attachment



Check out these related products:



Orient



Orient 2



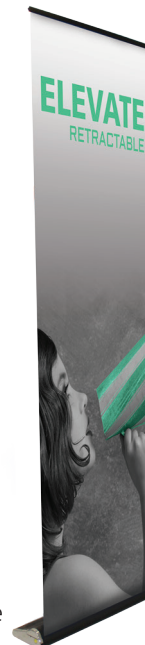
Blade LX



Blok



Lumina 2



Elevate
