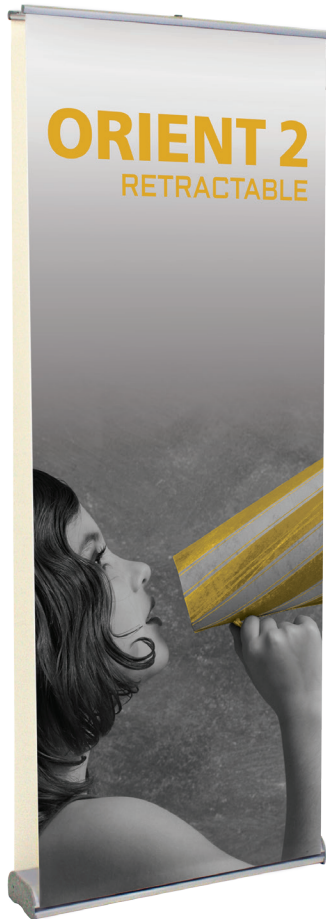


Orient 2

ONT-800-DBL-S-3

ONT-920-DBL-S-3

The Orient is a simplistic and elegantly designed banner stand that has the capability to be double sided. Dual retractor mechanisms allow you to present two graphics back to back. It is finished in anodized silver with heavy duty molded endplates. Padded carry bag is included.



features and benefits:

- Anodized silver base
- Three piece bungee cord pole
- Adjustable feet
- Molded endplates
- Supplied with a padded carry bag with strap
- Lifetime limited warranty against all manufacturers defects

dimensions:

Hardware

Assembled unit: (approximate sizes)

Orient 800: 85.04"(h) x 32.68"(w) x 7.28"(d)
2160mm(h) x 830mm(w) x 185mm(d)

Orient 920: 85.04"(h) x 37.49"(w) x 7.28"(d)
2160mm(h) x 950mm(w) x 185mm(d)

Base dimensions:

Orient 800: 3.15"(h) x 32.68"(w) x 7.28"(d)
80mm(h) x 830mm(w) x 185mm(d)

Orient 920: 3.15"(h) x 37.49"(w) x 7.28"(d)
80mm(h) x 950mm(w) x 185mm(d)

Graphic

Visible dimensions:

Orient 800: 83.25"(h) x 31.5"(w)
2114.55mm(h) x 800.4mm(w)

Orient 920: 83.25"(h) x 35.5"(w)
2114.55mm(h) x 901.7mm(w)

Grippa top rail attachment recommended for semi-permanent or long term use. Adhesive top rail attachment recommended for short term use.

WARNING: Always attach graphic to base and top rail before removing the locking pin. After fitting, the graphic should be left for 24 hours before use to ensure the adhesive bonds sufficiently. Opening the base will invalidate the product warranty.

Shipping

Shipping dimensions: ships in one box

Orient 800: 5"(h) x 37"(w) x 10"(d)
127mm(h) x 940mm(w) x 254mm(d)

Orient 920: 6"(h) x 39"(w) x 12"(d)
152.4mm(h) x 991mm(w) x 305mm(d)

Approximate shipping weight:

Orient 800: 13 lbs without graphic

Orient 920: 15 lbs without graphic

additional information:

Graphic materials:

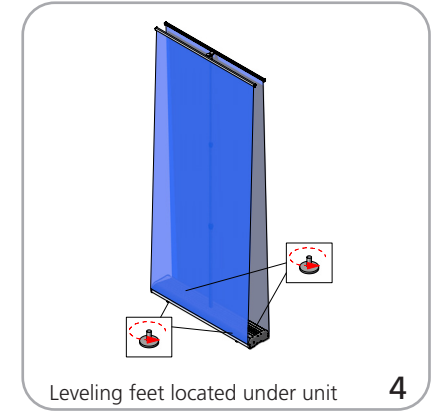
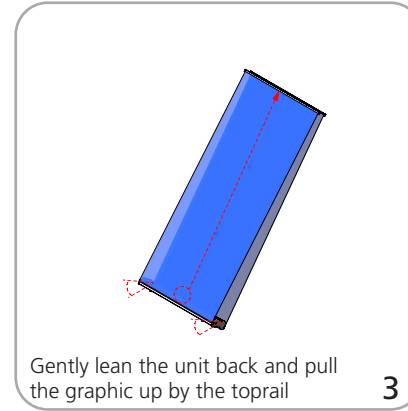
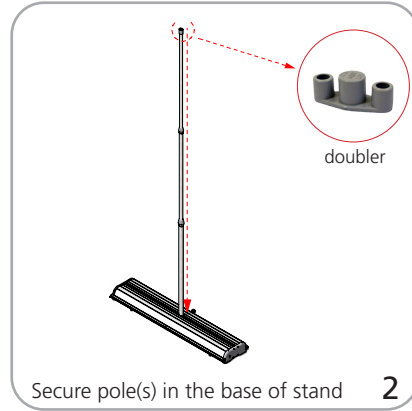
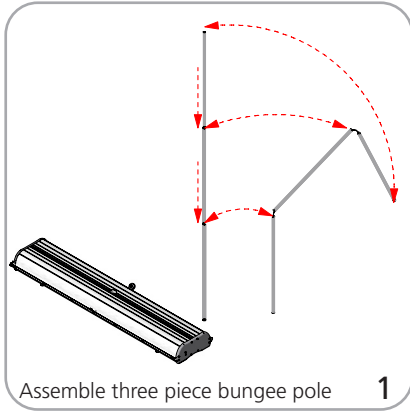
14oz anti-curl vinyl, 8oz. oxford, 11 mil melinex

Lumina 2 banner lighting option available

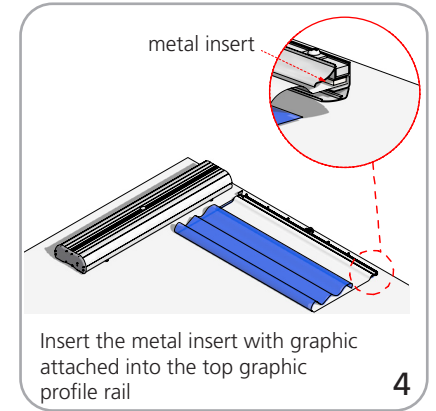
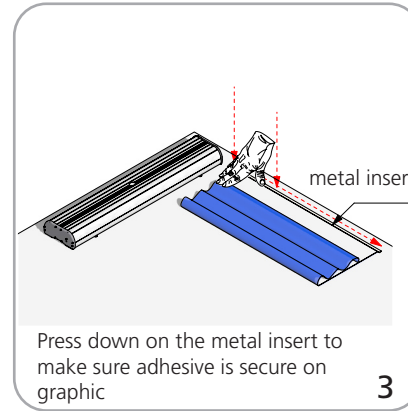
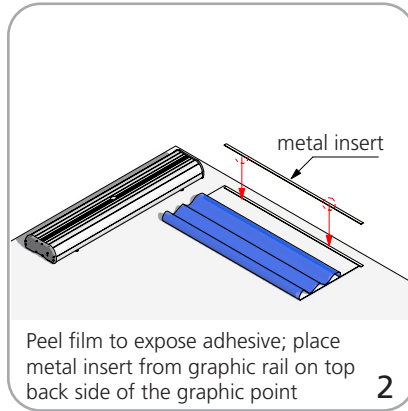
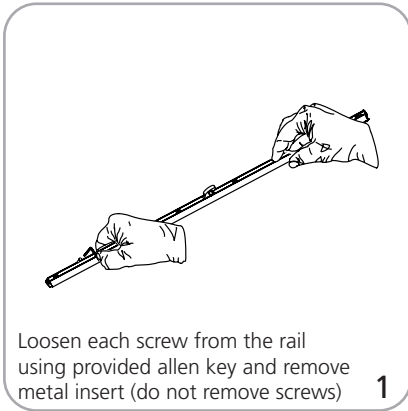


We are continually improving and modifying our product range and reserve the right to vary the specifications without prior notice. All dimensions and weights quoted are approximate and we accept no responsibility for variance. E&OE. See Graphic Templates for graphic bleed specifications.

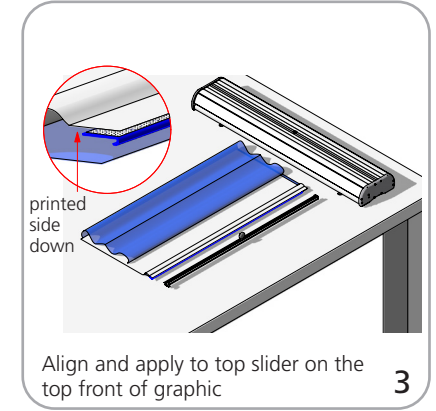
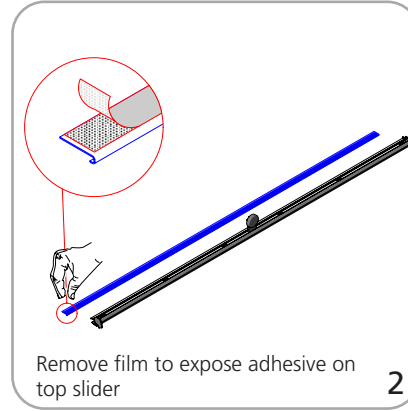
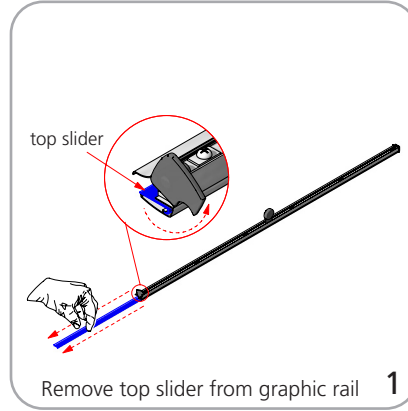
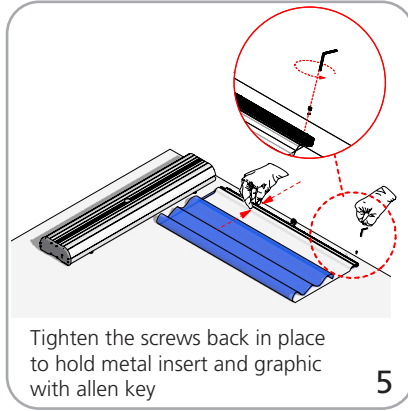
Set-up



Graphic to top rail attachment (metal insert)



Quick slide top rail attachment (plastic insert)



Graphic to base attachment

